

Project Title:

Winsock Layered Service Provider Project

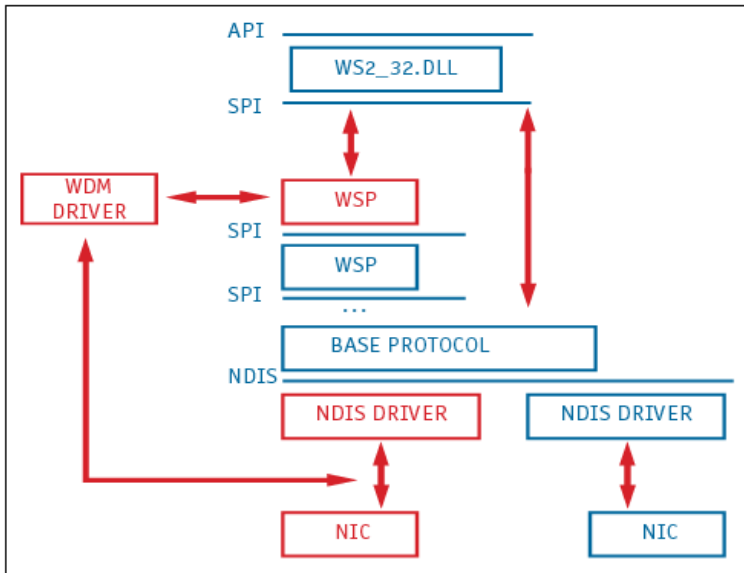
Client's Name (Country):

NDA

The Challenge:

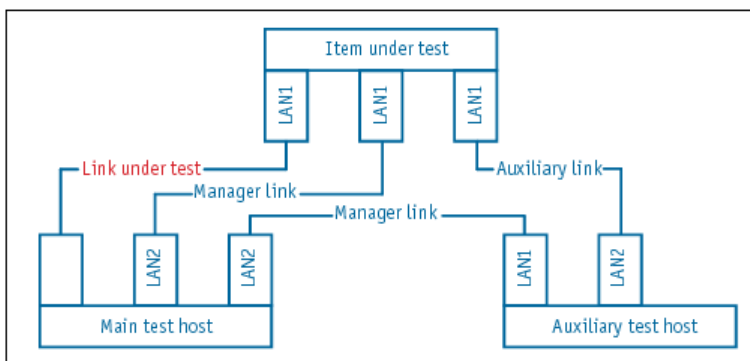
The first goal of the project is to develop a Winsock Layered Service Provider in order to bind a custom TCP/IP stack with a Windows Sockets library, and to modify the custom TCP/IP stack to meet the requirements of the Service Provider being created.

Winsock and Layer2 Test System Project



Custom TCP/IP stack modifications include WDM and NDIS miniport drivers and a user-level part of the stack (which has shared code with Linux implementation). The subsequent task in this project will be the development of an installation procedure.

The second goal of the project is to develop test cases for automatic test system and support this test system. There are two directions of testing: the first is Windows socket interface provided by the user space part of the product and the second one is Layer2 interface provided by the NDIS driver.





LANIT-TERCOM
28 Universitetsky Pr.
Peterhof
Saint-Petersburg, 198504
Tel.: +7 812 4284194
Fax: +7 812 4287409
E-mail: contact@lanit-tercom.com
www.lanit-tercom.com

Test packages include test cases aimed to check the compliance to standards (RFC, IEEE), stress and failure tests. Test system has to run tests each day and prepare report for test engineers.

The Solution:

Tools and Technologies:

Windows DDK (NDIS, WDM, WDF drivers); TDI; Winsock; TCP/IP; MSI Installations; Windows 2003, Vista; Ethernet; GNU Tools, iSCSI

Dates

Beginning in October 2004 and continuing to the present

Team Size

4 developers

Winsock and Layer2 Test System Project